

**BUILT
ON
QDR**



TOYOTA
Quality Revolution

www.toyotainnova.in

REFINED ELEGANCE LUXURIOUS DRIVE

All New Innova Crysta Petrol



INNOVA
CRYSTA

LUXURY
MEETS
POWER

COMMANDING PRESENCE



Inspired by the grandeur and toughness of crystals, Luxury and Power come together in the **All New Innova Crysta**, a shining example of Toyota's philosophy of Quality, Durability and Reliability. Crafted to luxurious perfection, the all new **Innova Crysta Petrol** is set to pulsate your senses. Toyota Dual Variable Valve Timing with Intelligence (**Dual VVT-i**) enhances the combustion efficiency by reducing friction and noise in the engine which makes your drive smooth and quiet.

The All New Innova Crysta commands a certain powerful presence, thanks to bold exterior silhouettes, an imposing new grille and muscular wheel arches. What's more, under the hood is a **petrol engine** with which you experience a luxurious drive every time you step on the accelerator pedal, courtesy the **6 speed automatic** and **5 speed manual** gearshifts.

Step inside and the new Innova will leave you speechless with its excellent craftsmanship and glorious attention to luxury. Living room like comfort, ambient mood lighting, exceptional quietness and signature third row comfort means plenty of delightful drives and joyful journeys.

BOLD DESIGN

The All New Innova Crysta's elegant silhouette and powerful design creates a distinct presence in the city and beyond. Its bold and sophisticated styling, expressed through an aerodynamic posture, evokes an amazing sense of stability on the road.



Elegant New Grille

with a 3D trapezoidal design for a powerful impression



Automatic LED Projector Headlamps

with auto levelling, follow-me-home and LED clearance lamps adds to the innovative appearance



Sophisticated Alloy Wheels

for a sharp and sporty look



Electrically Adjustable & Retracting Chrome Finished ORVM

with elegant side turn indicator & welcome lamps



Chrome Window Lining

for a premium statement



Premium Design Smart Entry Key
with blue accents to match interior illumination



Rear Unique Inverted Lights
with L-shaped silhouette and aero stabilising fins



Welcome Lamps
provide a warm welcome every time you approach
the Innova Crysta



**Shark Fin Antenna and Integrated
Rear Spoiler**
adds to the overall aerodynamics



Back Door Easy Closer
to effortlessly close the back door

IMMACULATELY CRAFTED



IMPECCABLY STYLED

The All New Innova Crysta's interior is the perfect blend of refinement and elegance realised through the combination of strength and space. A driver centric flowing dashboard design with unique silver and wood finish ornamentation and living room like comfort brings out a sense of luxury and sophistication.



FIRST IN CLASS

Ambient Illumination
gives the cabin a luxurious look and feel



Start & Stop Button

for the convenience of starting the car at the touch of a button



Sophisticated Steering Wheel

leather wrapped with wood finish and a large gripping area with multifunction switches, provides an easy driving experience



User-friendly Touchscreen Audio

with navigation and trip information



Blue Illumination, 3-Dimensional Combination Meter with Large TFT MID

with drive information, cost calculator and telephone/ navigation display adds to the car's intelligence



Featured Above: Hazel Brown Leather Upholstery

Premium Leather Seats

ergonomically designed for lounge-like comfort, including a 8-way power adjust driver seat



FIRST IN CLASS

One Touch Tumble Second Row Seat

makes access to the third row seats easy. One touch space-up third row seat makes room for extra storage

ALSO AVAILABLE IN IVORY COLOUR



Wood Finish Interior Panels
for a premium and luxurious look



Upper Glove Box with Cooling
to keep your beverages cold and refreshing



Easy Slide Front Passenger Seat to adjust the rear legroom



Foldable Seatback Table with Cup Holder
to place your knick knacks on the go



Smart Phone Holder with USB Port & AUX-In
for staying connected at all times



Rear Auto AC with Digital Display
for added convenience

INTELLIGENT DYNAMICS



ENHANCED EFFICIENCY

The All New Innova Crysta's ample power and smooth drivability makes driving easy while excellent fuel efficiency keeps every drive economical. For the first time, the Innova comes with a choice of 6 speed Automatic Transmission with sequential shift and a 5 speed Manual Transmission.



ECO & POWER Drive Modes

to choose between 2 distinct driving modes. ECO mode for optimum fuel economy and POWER mode for sharper acceleration response



6 Super ECT with Sequential Shift

6 speed super intelligent electronically controlled automatic transmission that draws out the engine's maximum potential



REFINED PETROL ENGINE

The refined Petrol Engine, delivering a power out of 122 kW (166 PS) puts the Innova Crysta in a league of its own

New Petrol Engine

has relatively low weight that reduces fuel consumption. Toyota Dual Variable Valve Timing with Intelligence (Dual VVT-i) ensures a more efficient and smoother drive. All of this translates to enhanced cabin quietness, lesser vibrations, faster acceleration and a luxurious drive



Improved Suspension

keeps cabin movement to minimum and maintains smooth ride on rough roads

UNCOMPROMISING SAFETY

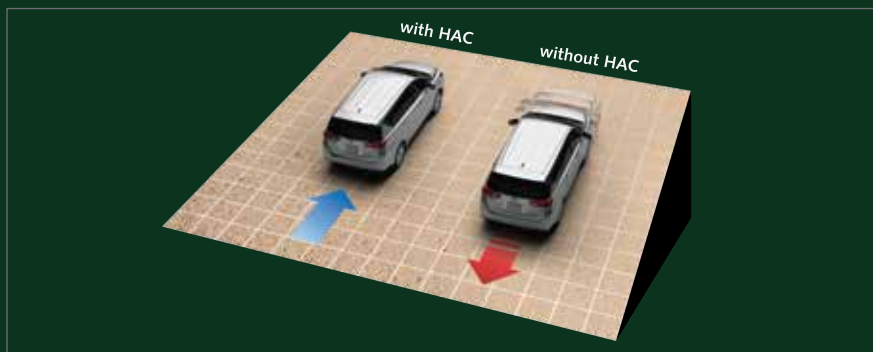
FIRST IN CLASS: 7 SRS AIRBAGS*



*For more details on the functioning of Airbags please refer to the owner's manual

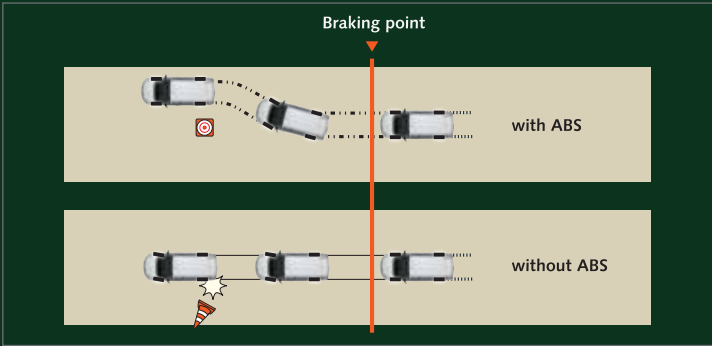
UNMATCHED STANDARDS

The All New Innova Crysta gets enhanced with new age safety features like 7 SRS Airbags*, 3 Point Seatbelt for all passengers, Height Adjustable Front Seatbelt with Pretensioner and Force Limiter, Anti-lock Braking System, Electronic Brake-force Distribution, Brake Assist, Hill-start Assist Control, Vehicle Stability Control, GOA Body and other safety features thus making it a safe haven on wheels.



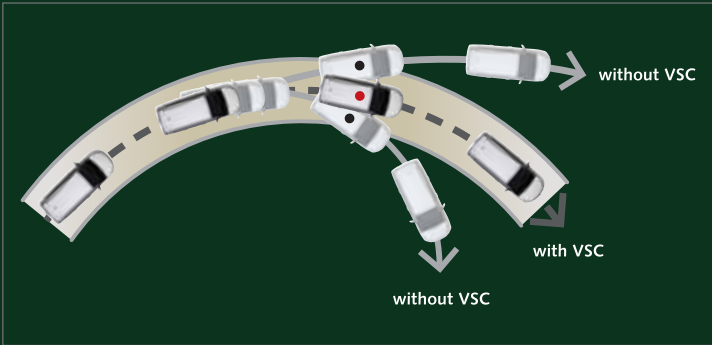
Hill-start Assist Control

automatically controls the brakes suppressing vehicle rollback when starting off on a slope, reducing the burden on the driver



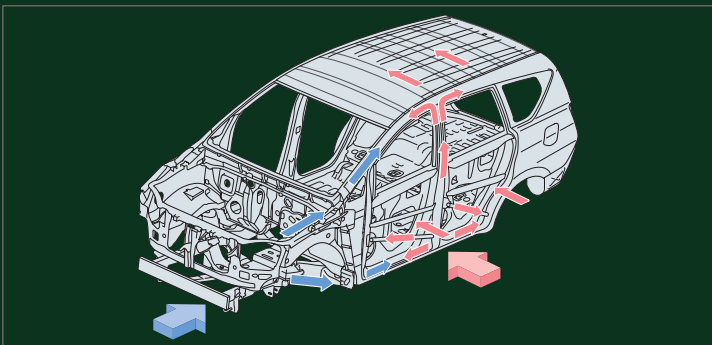
Anti-lock Braking System

prevents wheels from locking and enables greater maneuverability and steering control



Vehicle Stability Control

automatically controls both vehicle brakes and engine output during over steer or under steer while the vehicle is making a turn, ensuring vehicle stability



GOA Body

is a high strength body structure that effectively absorbs impacts and distributes it evenly during unforeseen collisions, thereby reducing passenger and pedestrian injuries

COLOURS



GARNET RED



AVANT-GARDE BRONZE



WHITE PEARL CRYSTAL SHINE



GREY



SILVER



SUPER WHITE



For more information, visit www.toyotainnova.in
You can Talk to Toyota at **1800-425-0001**
(BSNL/MTNL Toll Free No.)
or **+91-80-66293001** (Direct No.)

Note: Vehicles pictured and specifications detailed in this brochure may vary between models and equipment. Addition of extra features may change figures in this chart. Toyota Kirloskar Motor Pvt. Ltd. reserves the right to alter the details of specifications and equipment without a notice. Actual colour of the vehicle body & upholstery might differ slightly from the images depicted in this brochure. Features are grade specific.